

K2 Rotary Draw Latch

Stylized wing

Features

- Lift and turn operation
- Consistent pull-up

Product Performance

- Maximum working load:
 - Steel: 1,230 N
 - Stainless steel: 845 N
- Operating temperature range: -40 °C to 80 °C

Material

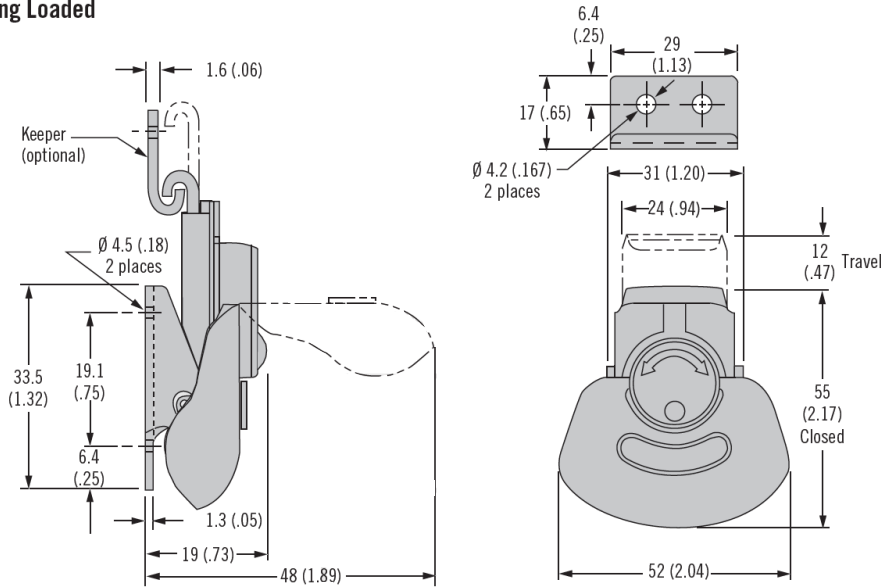
- Stainless steel or steel,
black powder coated

Notes

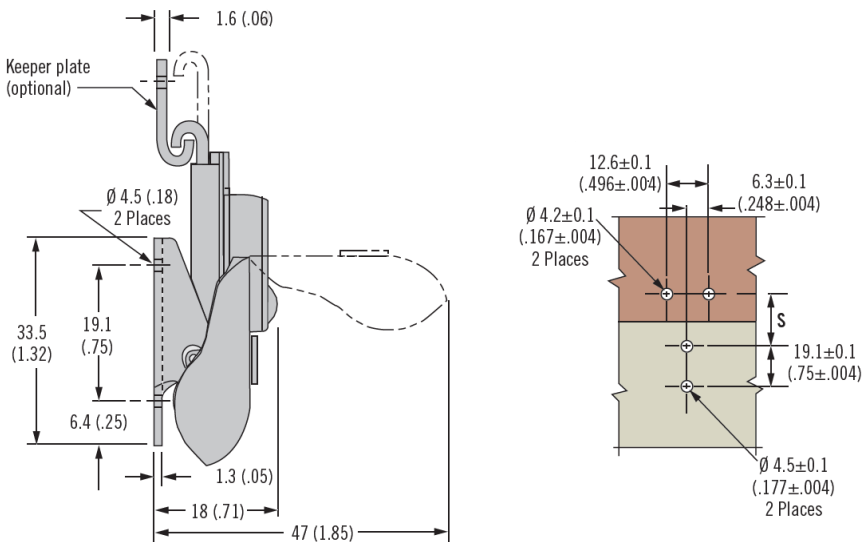
- Spring loaded: Ideal for applications where shock and vibration occur. Compensates up to 1.7 for mounting hole irregularities, panel variations and gasket set. Also provides an additional allowance of 2.3 deflection when loaded.
- Install assembly with Ø4 rivets or M4 screws (not supplied)



Spring Loaded



Fixed



Latch	Part Number			S
	Style	Steel, Black Powder Coated	Stainless Steel	
	Spring loaded	K2-3005-89	K2-3005-51	
Fixed	K2-3001-89	K2-3001-51	32±0.2 (1.25±.01)	
Keeper		K4-2338-89	K4-2338-51	